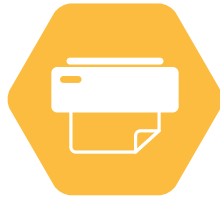




# HOW TO USE 7 STRIPES

We have prepared for you short instruction,  
which can help you to wrap your car.



# HOW TO PRINT

The design is created in a 1:10 ratio (PDF).  
Data is in the vector files and ready to print.



**DOWNLOAD**



**PRINT & CUT**

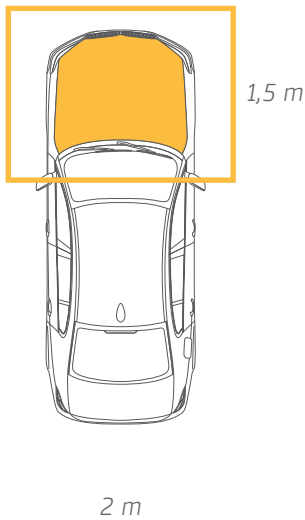
*We recommend using the services of professional printers to maintain the quality of the product.*



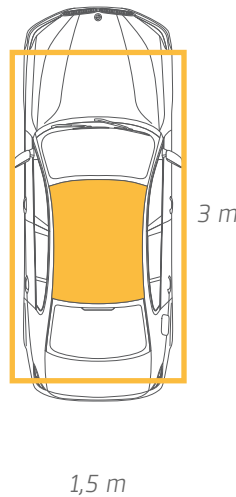
# HOW TO WRAP

After you have printed 7 stripes of design, you should use them for wrapping your bonnet, roof, trunk, front bumper, back bumper and left and right side.

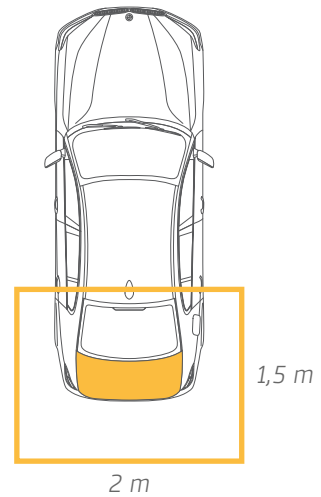
**BONNET**



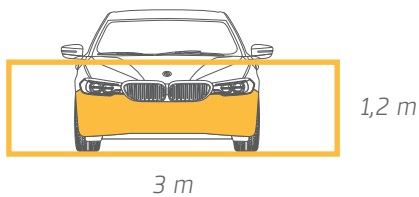
**ROOF**



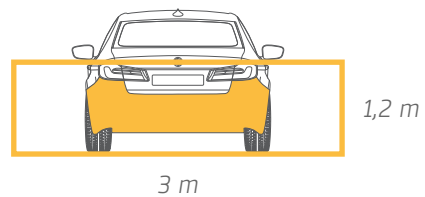
**TRUNK**



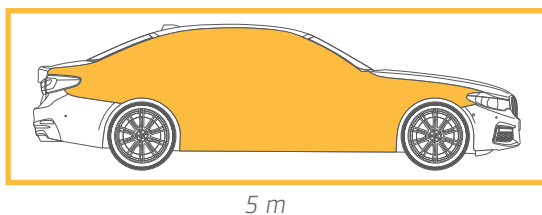
**FRONT BUMPER**



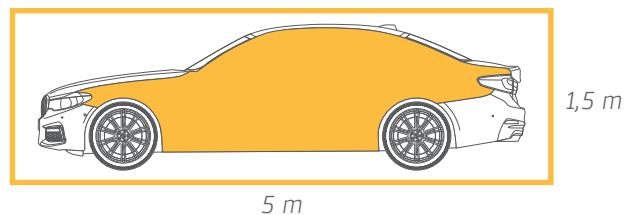
**BACK BUMPER**



**RIGHT SIDE**



**LEFT SIDE**



*The preview is an illustration only and may differ for different types of cars.  
That is why we recommend using the services of professional wrappers.*



# FREQUENTLY ASKED QUESTIONS

## What if the car is smaller than printing data? Do I have to print all stripes?

If your car is much smaller than the downloaded stripes, we recommend you accurately measure your car and trim the data with DTP graphic designer. In this way you can save some money for printing. So you have to print all stripes, but you can crop the stripes to fit it exactly to your car.

## What if my car is bigger than printing data?

Printing data will fit to most of the car models, but if your car is little bit bigger than printing data, you can stretch the foil for 15 cm to all sides.

## Can I take the car to the automatic car wash?

With recommended Avery Dennison foils, you can use "brush-type" car washes. But for such washing exercise increased caution - let the operator know that a foil has been applied to your vehicle. Never wash your vehicle in direct sunlight or when the chassis is heated. Aggressive chemicals used in car washes also reduce service life.

## Can the foil be removed easily?

If you use the Avery Dennison foil as we recommend, you can take it off without damaging the paint and without residual glue remaining on the vehicle.

## How long will the foil last on the vehicle?

The foil Avery Dennison, which we both use and recommend, has a service life of three to seven years. But this depends on how much garage time the car sees out of the weather and how well you care for the wrap. It's the same as with paint. Decontaminate the foil twice annually and treat it with either a wax or a sealant.